

LUCIDE

GENERAL SPECIFICATIONS



RECOMMENDED LUCIDE LIGHT SOURCE

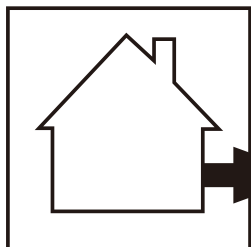
49009/05/30
Light source dimmable : Yes. Dim to warm
Light source incl. : No

General

Dimensions LxWxH : 18cm x10cm x 15.3cm
Height maximum : 15.3cm
Dimensions shade LxWxH : D5.7cm x 10.9cm
Main material : aluminium
Ceiling rose material : aluminium
Color : Sand Black , Sand White
Style : Modern
Shape : oblong
Weight : 0.81kg
Warranty : 2 years

Product specifications

Dimmable : Yes
Light direction : downward
Adjustable in height : No
Directional : Yes
Cable : Without Cable
Cable length : N/A
Sensor : infrared motion sensor
Control : Light Switch Control
IP-Class : IP54
Electric class : 1
Light source including ? : No
Lamp socket : GU10
Light source number : 2
Power requirements : 220-240V~50Hz
Bulb type & maximum wattage : 2xGU10 MAX 50W



IP44

IP54

IP65

IP67

Explanation of IP numbers for degrees of protection, see safety instruction manual in the box.

For more specifications, dimensions please visit www.lucide.com

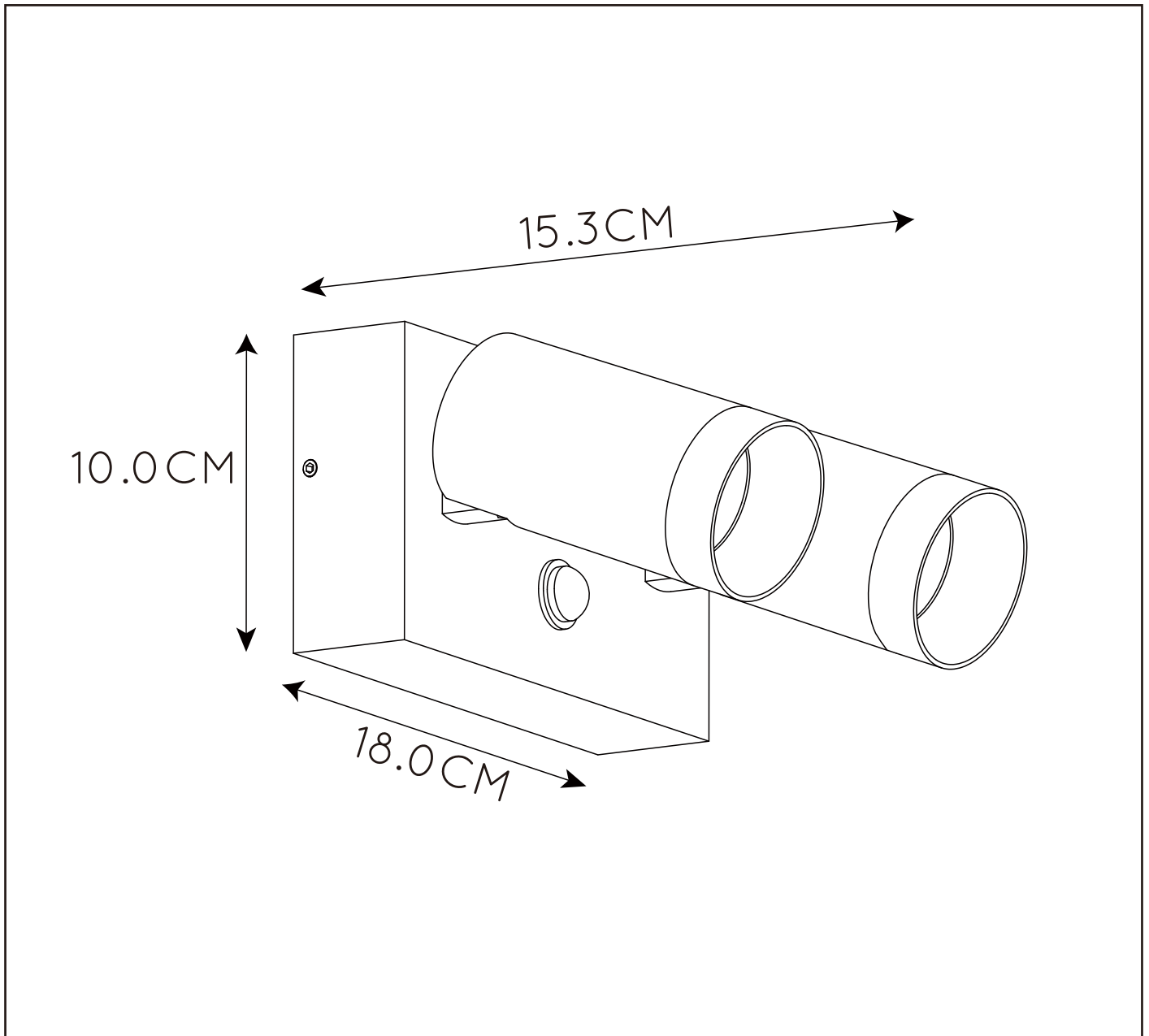
TAYLOR

Item number : 09831/02/30

EAN code : 5411212092717

Item number : 09831/02/31

EAN code : 5411212092724



LUCIDE

INSTALLATION DRAWING SPECIFICATIONS

