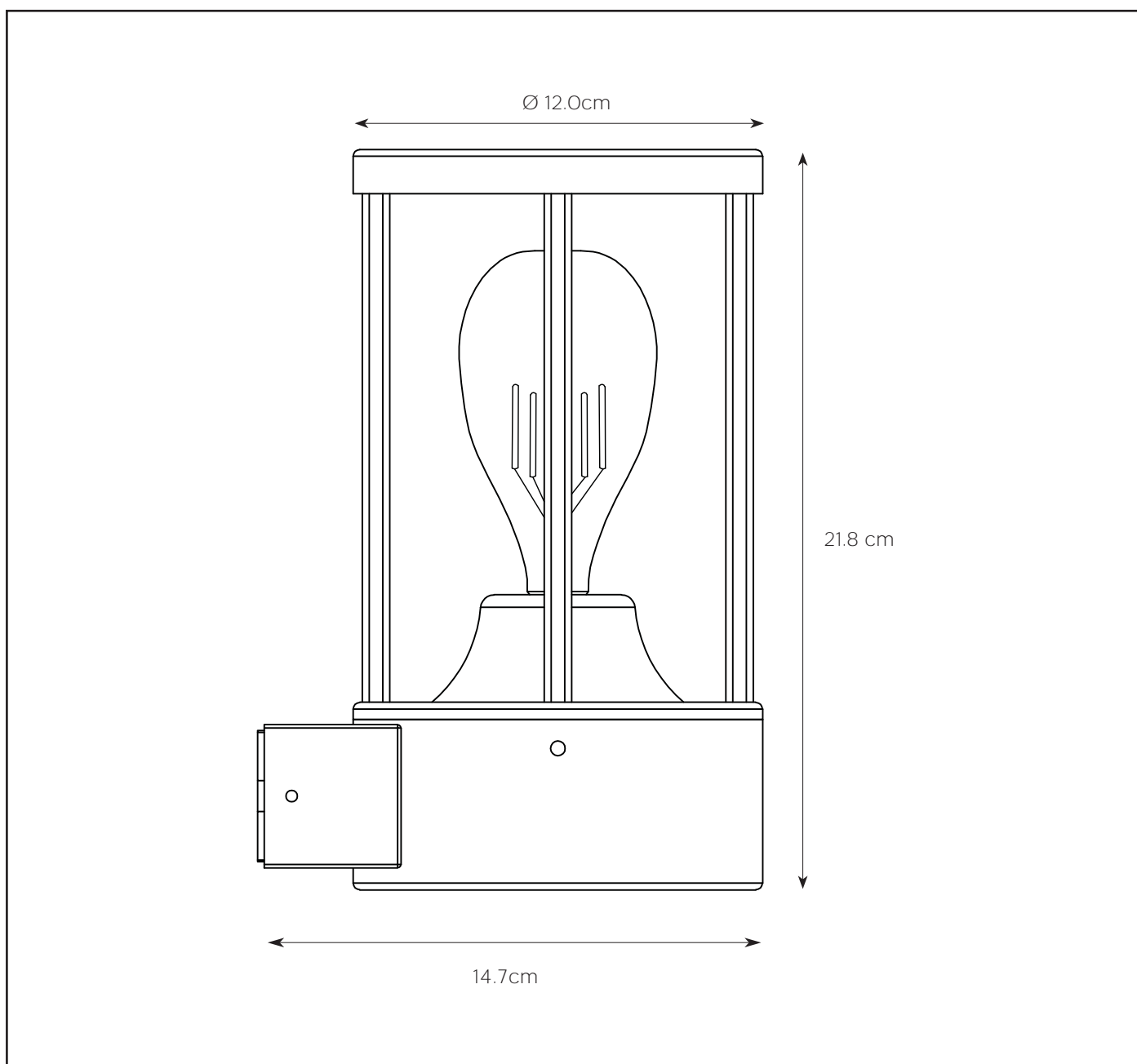




# LORI

Item number : 14893/01/30

EAN code : 5411212144300

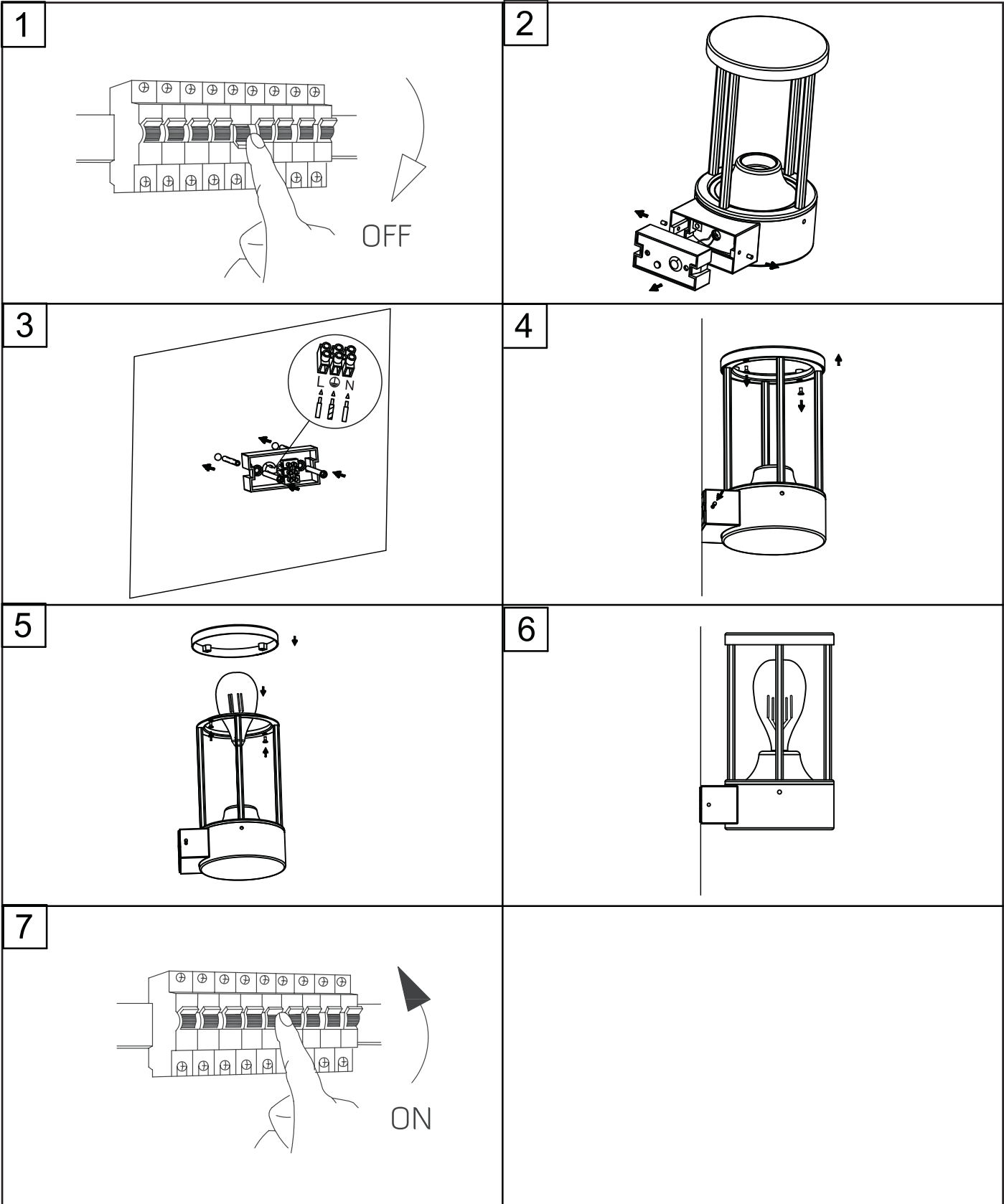


For more specifications, dimensions please visit

[www.lucide.com](http://www.lucide.com)

# LUCIDE

## INSTALLATION DRAWING SPECIFICATIONS

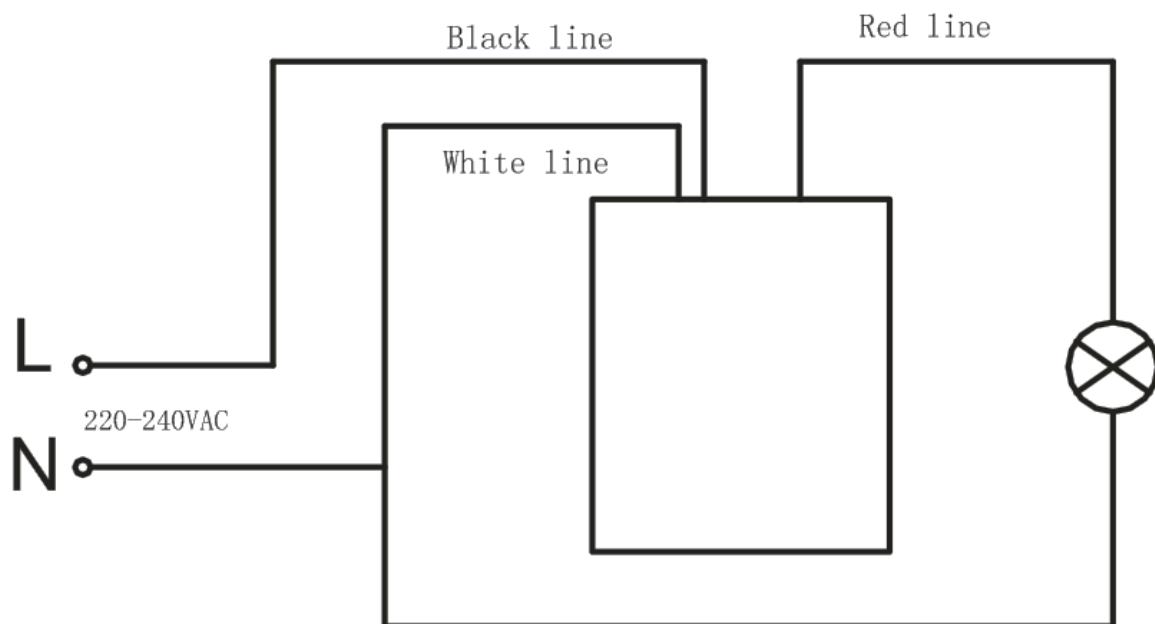


## Control Sensor Technique Index & Directions

### Main technique index

- 1) Light control: Open-controlled:  $\leq 25\text{LUX}$ , Off-controlled:  $30\text{-}60\text{LUX}$
- 2) Frequency:  $50\text{-}60\text{Hz}$
- 3) Lighting Control Power:  $100\text{W}$
- 4) Voltage:  $220\text{-}240\text{VAC}$
- 5) Consume power:  $\leq 1.0\text{W}$

### I. How to circuit Illustration:



II. Caution Please avoid installing the controller in the open air.